

**WIDE RANGE**



# DWR ROUND

Semi-automatic labelling machine for cylindrical products

DWR ROUND is a semi-automatic labelling machine for the application of self-adhesive labels to cylindrical products.

It is available with a maximum label width of 200 mm, or 300 mm. and is equipped with an unwind unit which accepts reels with a maximum diameter of 300 mm, providing long operation autonomy.

DWR ROUND can also be equipped with an inkjet marker with HP technology for printing variable data such as date and time, barcodes and text with a maximum height of 12.7 mm, a resolution of 300 dpi and speed synchronised with the label supply speed.

### **DWR ROUND 200**

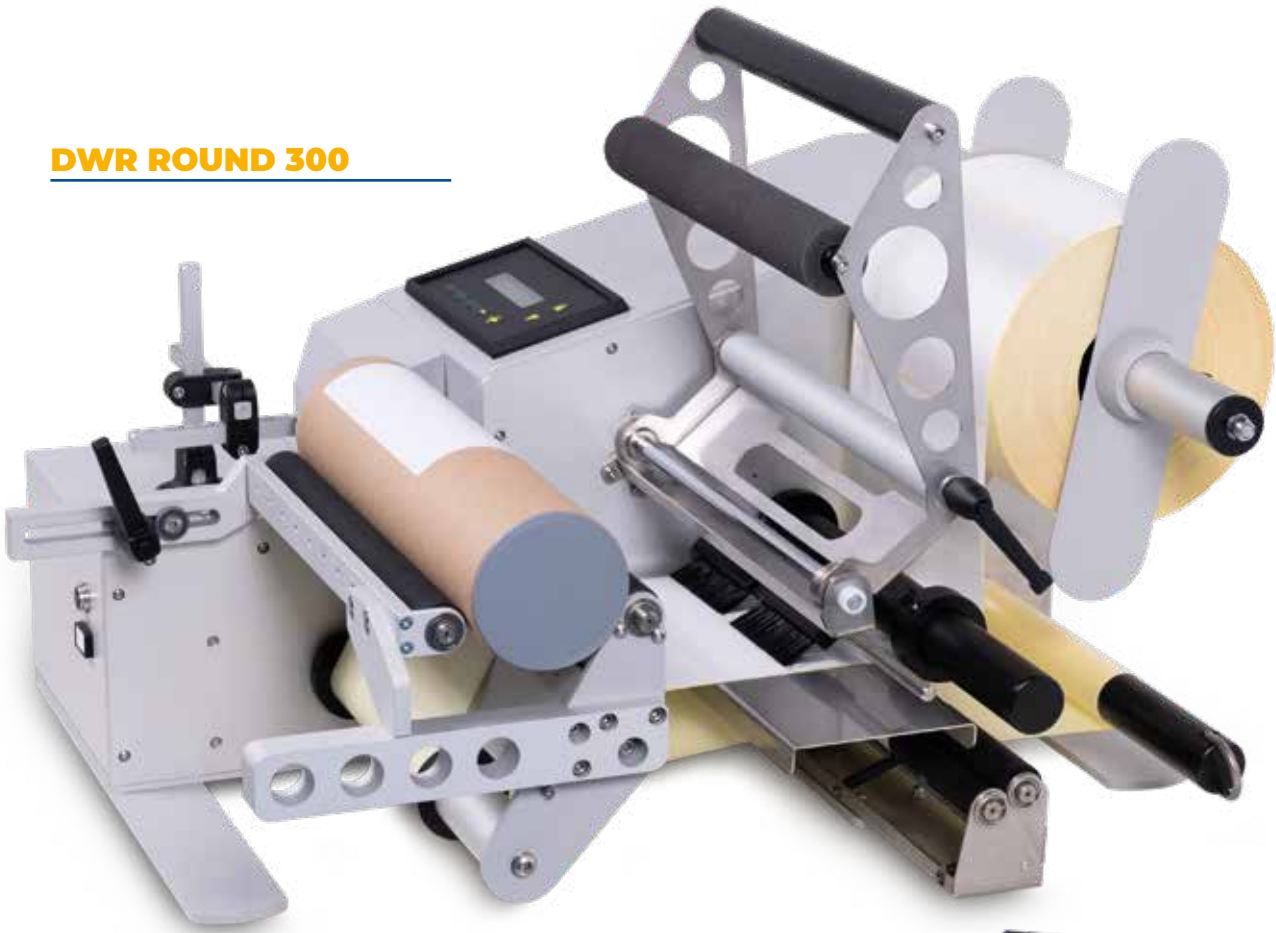
---



# DWR ROUND

Semi-automatic labelling machine for cylindrical products

**DWR ROUND 300**



**DWR ROUND 200**





**DWR ROUND 300**



**DWR ROUND 200**



DWR ROUND can apply wraparound or front/back labels, even of different dimensions positioned on the same reel.

DWR ROUND can even apply labels in phase by reading a coloured notch on the product or a previously applied label, for example.

Labels are detected using a fork photocell, which reads the transparency; an ultrasound sensor which reads the thickness is available for when transparent labels are used.



The electronics consist of a single board featuring SMD technology. It uses a 16-bit microprocessor. The user interface consists of a two-line, 20-character/line LCD display and 7 function keys.

The software allows up to 40 different operating programmes to be stored, including all information on the label and type of application, making format changes extremely quick.

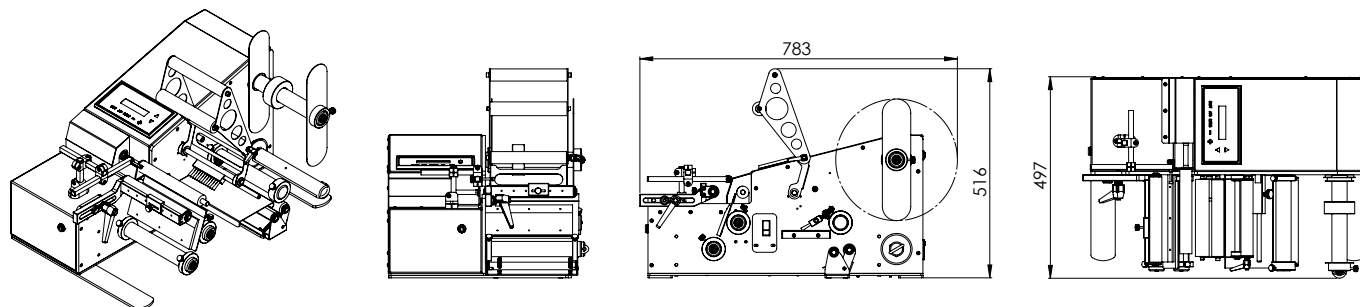


Technical specifications	DWR ROUND 200	DWR ROUND 300
Product diameter	20-130 mm	20-130 mm
Label width	15-200 mm	15-300 mm
Label length	15-600 mm	15-600 mm
Reel diameter	300 mm	300 mm
Diameter of spindle	38-76 mm	38-76 mm
Speed	4-20 m/m	4-20 m/m
Output	1200 pz/h	1200 pz/h
Power supply	230 Vac - 50 Hz	230 Vac - 50 Hz
Power draw	200 W	200 W
Dimensions	783 x 497 x 516 (H)	843 x 600 x 516 (H)
Weight	36 Kg	40 Kg

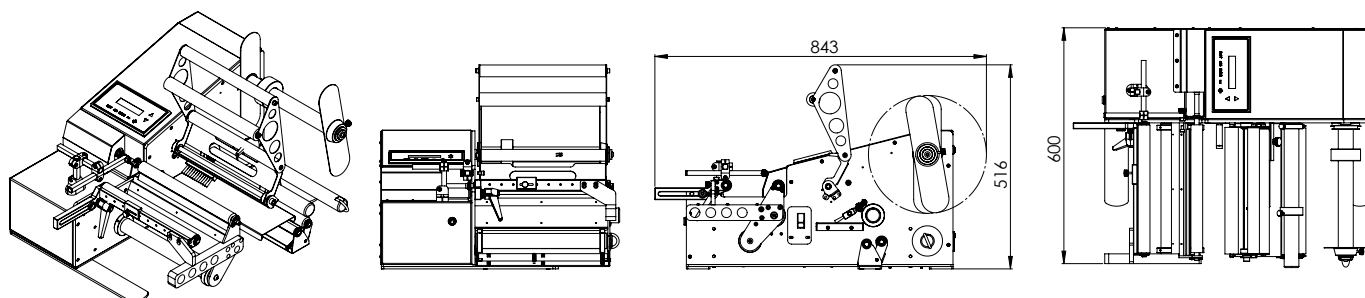
# DWR ROUND

Semi-automatic labelling machine for cylindrical products

## DWR ROUND 200



## DWR ROUND 300



**Industrial automation solutions  
for labelling**

Wide Range s.r.l. - Via Ferraris, 21  
20047 Cusago (MI)  
Tel. 02.90.193.66  
info@widerange.it  
www.widerange.it