

## DOT 160x17 N SUPERFAST

## DOT 160x25 N SUPERFAST

### DESKTOP · DOT PEEN MARKING

- Dot peen marking station, autonomous with height regulation and **maximum speed**. Especially designed for companies with a wide **variety of small-sized parts**.

### ADVANTAGES

- **Maximum marking speed**, for all kinds of materials and hardnesses up to 62HRC.
- Maximum reliability, **uninterrupted productions, and reduced maintenance costs**.
- Highly robust and long-lasting, thanks to the high quality of its components.
- **Versatility in the size of the pieces to be marked**,

thanks to regulation up to 250 mm in height, so you can mark everything from thin sheets to large pieces, including fastening.

- T-slot to facilitate **tool placement**.
- Possibility of anchoring the table to a surface for **greater stability**.
- Machined work surface, guaranteeing **precision** in marking.
- Circular connector to facilitate assembly and disassembly.

### CHARACTERISTICS

- 160 by 17 mm marking area.
- 160 by 25 mm marking area.
- Speed up to 16 characters/second.
- Hardness of materials to mark up to 62HRC.
- 6-bar air pressure.
- Table for placing tools and plate stand.
- Column with **height regulation** up to 250 mm
- Different header types, depending on marking needs: pneumatic (N7SB, N14SB) and electric (S2, S6).
- Marking alphanumeric codes, logotypes, DATAMATRIX™, QR codes, etc.

- 2.5-metre robotics wire.

Other lengths: 5, 10 and 15 metres.

- Connection with **COUTHsmartbox** control for integration into production lines (see technical specifications for more information).

- PC edition programme:

**COUTHvector**, logotype creation.

**COUTHedit**, marking file creation.

**COUTHmonitor**, machine status monitoring.

- **COUTHlink**. Library to facilitate connectivity between COUTH smartbox and the production line PLC.

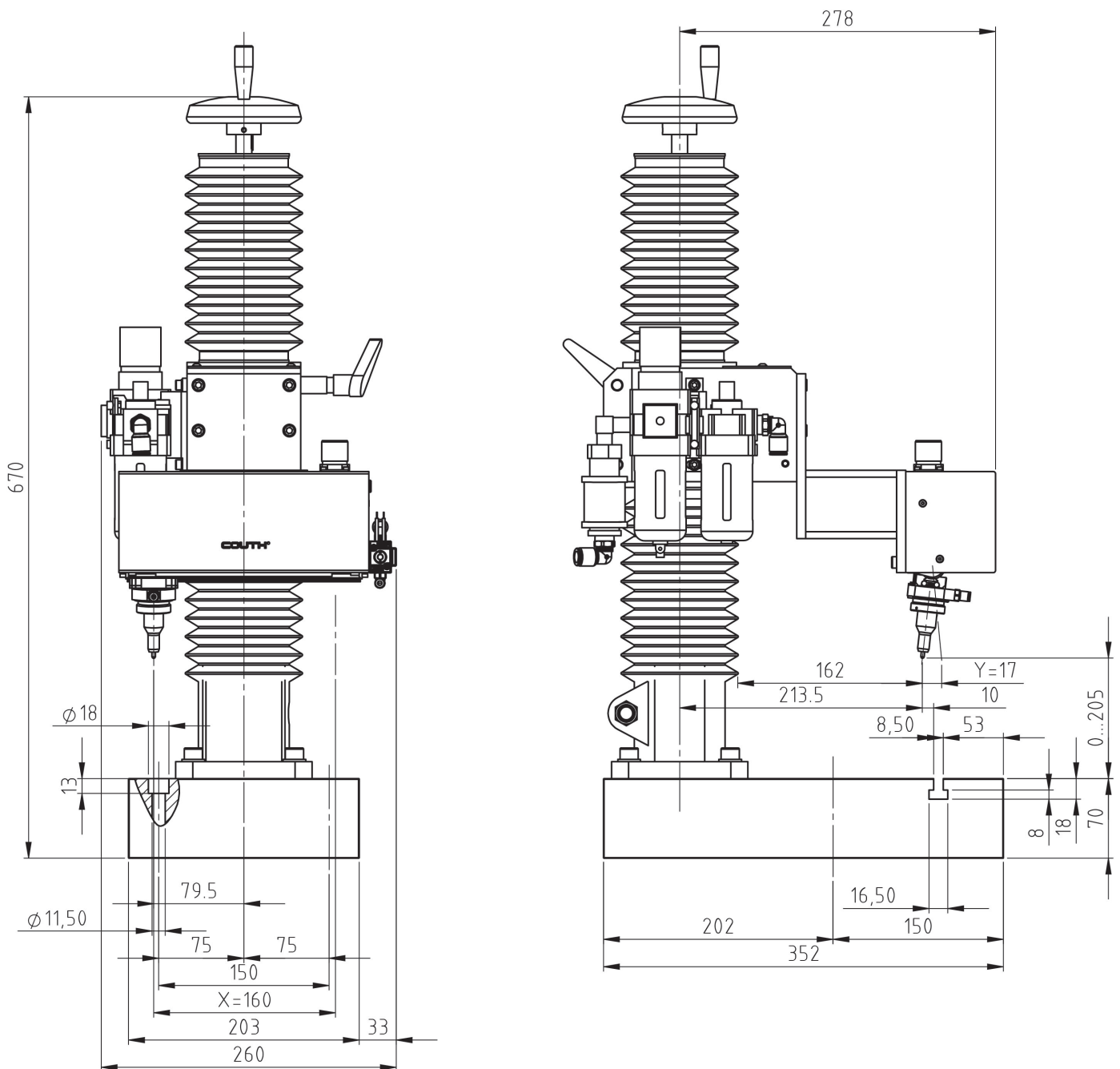


## DOT 160x17 N SUPERFAST

DESKTOP · DOT PEEN MARKING

### DIMENSIONS

DOT 160X17 N



## DOT 160x25 N SUPERFAST

DESKTOP · DOT PEEN MARKING



### DIMENSIONS

#### DOT 160X25 N

