

DOT 160x17 P SUPERFAST

DOT 160x25 P SUPERFAST



PORTABLE · DOT PEEN MARKING

- Portable dot peen marking unit with **maximum speed**, especially designed to mark pieces in any area and position.

ADVANTAGES

- **Maximum marking speed**, for all kinds of materials and hardnesses up to 62HRC.
- Maximum reliability, **uninterrupted productions and reduced maintenance costs**.
- Highly robust and long-lasting, thanks to the high quality of its components.
- Built-in supports to properly secure and have appropriate distance between the marking unit and the piece, thereby guaranteeing mark quality.
- Possibility of purchasing model with window kit to increase the machine's securing to the piece, guaranteeing higher marking quality.

CHARACTERISTICS

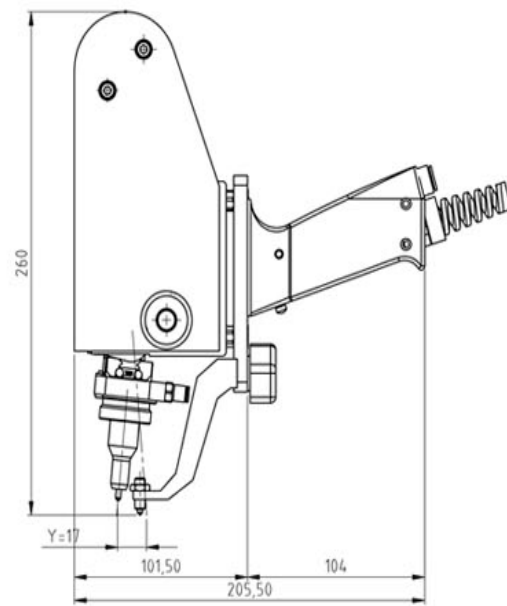
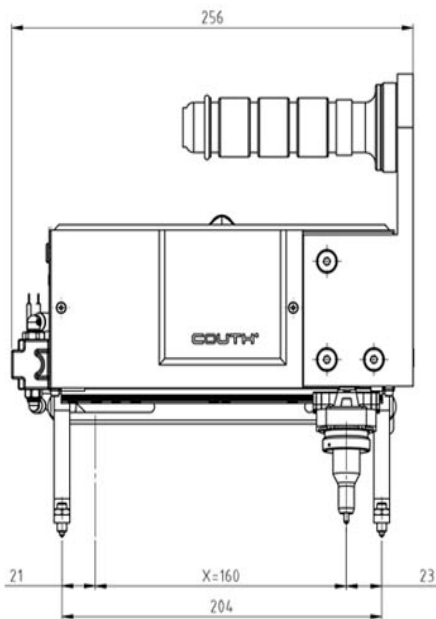
- 160 by 17 mm marking area.
- 160 by 25 mm marking area.
- Speed up to 16 characters/second.
- Hardness of materials to mark up to 62HRC.
- 6-bar air pressure.
- Different header types, depending on marking needs: pneumatic (N7SB, N14SB) and electric (S2, S6).
- 5-metre robotics wire.
Other lengths: 10 and 15 metres.
- Marking alphanumeric codes, logotypes, DATAMATRIX™, QR codes, etc.
- Built-in support; tip or window option, depending on the piece to mark.
- Connection with **COUTHsmartbox** for integration into production lines (see technical file for more information).
- PC edition programme:
 - **COUTHvector**, logotype creation.
 - **COUTHedit**, marking file creation.
 - **COUTHmonitor**, machine status monitoring.
- **COUTHlink**. Library to facilitate connectivity between COUTH smartbox and the production line PLC.

DOT 160x17 P SUPERFAST

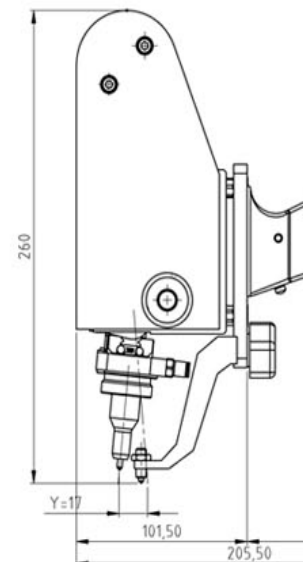
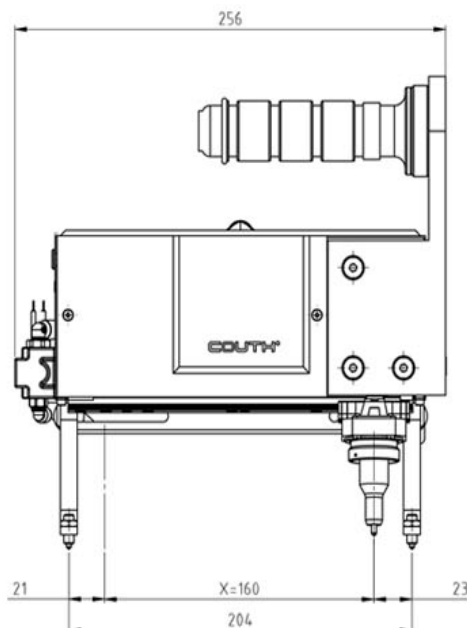
PORTABLE · DOT PEEN MARKING

DIMENSIONS

DOT 160X17 P



DOT 160X17 P WITH WINDOW (CODE 21W16FNG1)

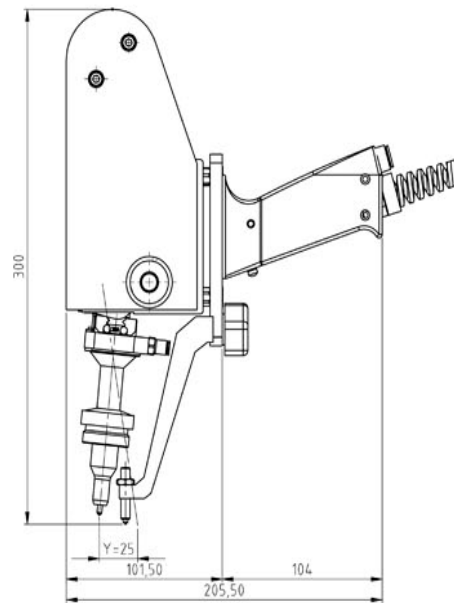
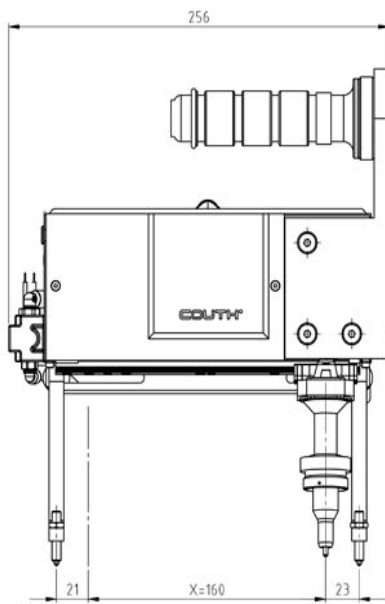


DOT 160x25 P SUPERFAST

PORTABLE · DOT PEEN MARKING

DIMENSIONS

DOT 160X25 P



DOT 160X25 P WITH WINDOW (CODE 21W62FNG1)

