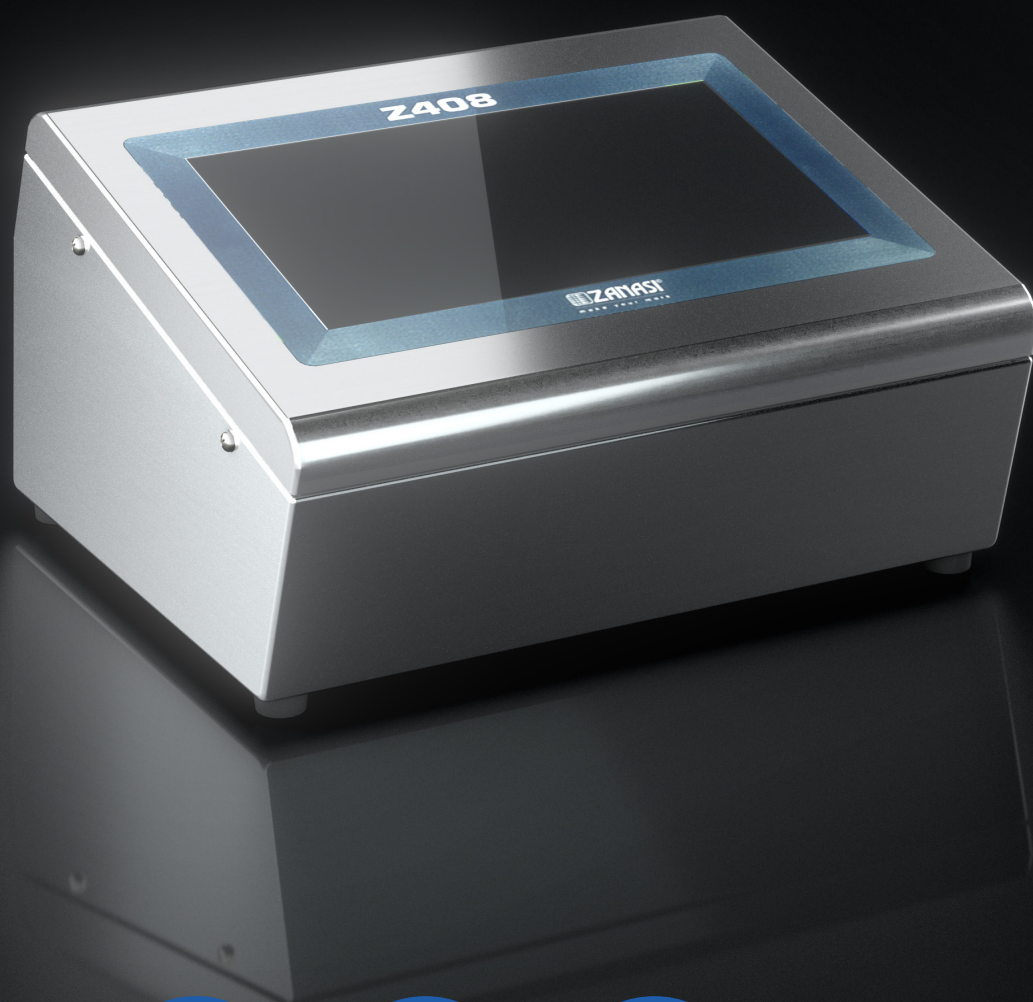


Z408



large character



Resistance



Flexibility



Multi-control



Full integration

Technical Specifications



large character

Z408

Printing characteristics

PRINTING SPECIFICATIONS

Up to ten printing lines
Print height from 5 mm to 190 mm (0,2" - 7,48")
Coding throw distance up to 35 mm (1,37")
Line speed capability: up to 180 m/min (591 ft/min)
Printing rate: up to 266 ct/sec
Available fonts: 5x4, 5x5, 6x4, 7x4, 7x5, 9x5, 9x7, 10x8, 12x10, 16x10, 24x16, 32x18, 48x30 and True Type
Up to 6800 stroke per message
Messages and logos storage: up to 8 GB with expandable Micro SD memory
Automatic date, time, off sets and expiry date multifunctions
Incrementing/decreasing alphanumeric product counters up to 9 digits
Metric repeat print - message function
Customizable message repeat with single print start
Field orientation: 0°, 90°, 180°, 270°
Tower print function (text rotation of 90°)
Fixed and variable text field types (automatic or external)

BARCODES

2/5 Industrial, UPC-A, CODE 39, EAN 13

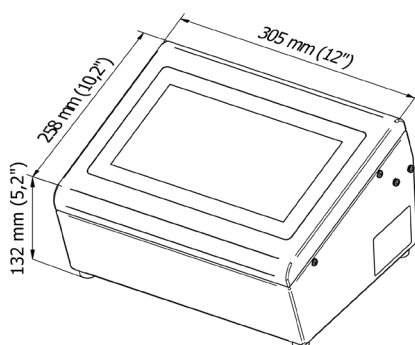
Construction characteristics

CABINET

10,1" TFT full color anti-reflection high-contrast LED touch-screen display
Stainless steel structure AISI 304
Support on rubber feet
User interface and virtual keyboards with configurable foreign languages and alphabets
Temperature: from 0°C to 50°C (32° F - 122° F)
Humidity: 0-90% (non-condensing)
Single phase, 85 - 240 Vac, 50 - 60 Hz, 400 VA
Single phase, 85 - 240 Vac, 50 - 60 Hz, 800 VA (more than 32 dots)

EXTERNAL CONNECTIONS

Serial connection RS232
Ethernet interface for LAN 10/100 connection
USB port version 2.0
Parallel interface BCD, 6 bit
Configurable I/O ports
Sensor management for product detection
Shaft encoder input for variable speed production lines
External alarm outputs for low ink level



Usability

PRINTER MANAGEMENT

Real time throughput counter
Management of up to four 7 or 16 dot, or two 32 dot, or one 48 dot printheads
Exclusive user interface customizable for single operator (functionality, language and alphabets...)
Intuitive user interface with graphic icons
Innovative graphic editor with Drag & Drop
Quick creation of images, shapes and lines through touch-screen display
Multi-level access with login
Online help and user manual with contextual photos and videos
Message storage with file name
Print parameters storage in the messages
Message dimension check before print

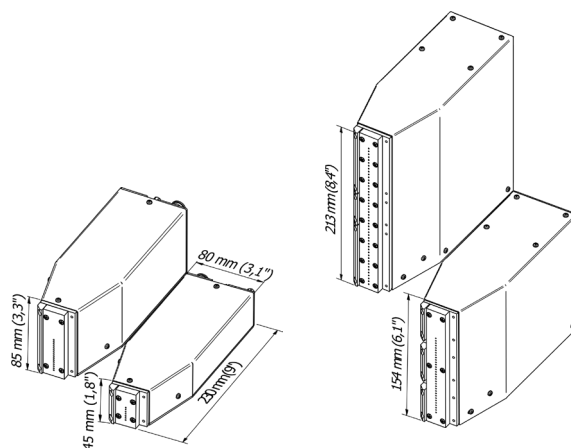
PRINTHEAD

"Tilt" rotation bracket to obtain up to 5 different print heights
Print heights 7 dot head: 7, 10, 12, 16 and 20 mm
Print heights 16 dot head: 16, 30, 40, 50 and 60 mm
Print heights 32 dot head: 32, 60, 80, 100 and 120 mm
Print heights 48 dot head: 50, 90, 120, 150 and 190 mm
Stainless steel structure AISI 304
High efficiency solenoid technology
Printhead - console distance: up to 10 m (33 ft)
Stainless steel nozzle plate AISI 304
High precision nozzles made of synthetic ruby
Purge and calibration per single dot

Consumables

INKS

Wide range of inks to satisfy any application and surface, all compliant with RoHS: water-based, ketone-based (MEK) and alcohol-based (methanol-free) inks
Food Contact certified inks for food packaging



ZANASI
make your mark

ZANASI SRL Via Marche n.10
41049 Sassuolo (MO)
Tel. +39 0536 99.97.11

zanasicoding.com

