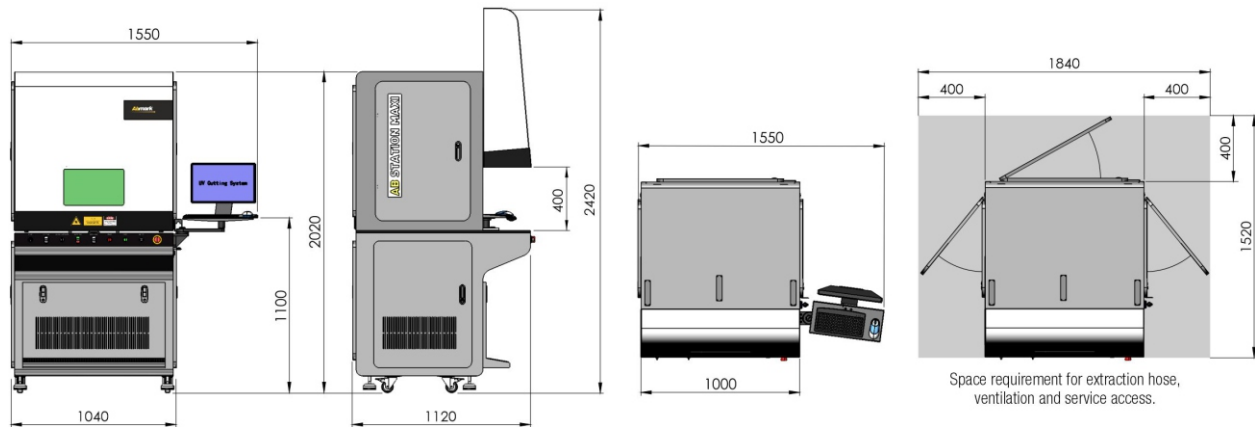


ABSTATION MAXI

FLOOR STANDING LASER MARKING WORKSTATION



ABSTATION MAXI



ABSTATION-MAXI is a floor standing workstation that has been designed for both seated and standing operation. The MAXI-Z model features a programmable Z-axis and motorized door as standard. The MAXI-XYZ version includes additional axes for programmable X and Y motion. An ergonomic computer arm is provided for mounting a laptop or the display and keyboard of a desktop computer. A rotary axis for marking cylindrical components can be added as an option.

Workstation		AbStation Maxi Z	AbStation Maxi XYZ	
Dimensions (WxDXH) in mm		1040/1550 x 1120 x 2020/2520		
Weight (excl. Laser)		369 kgs		
Power requirements (excl. Laser)		115-240v - 50/60Hz - 240VA		
Accessories / Options	Internal Light	√		
	Fume Extractor Hoose	O		
	Door	Automatic		
	Powered Z Axis	√		
	Programmable Z Axis	√		
	Removable Side Panel	√		
	Vision System	O		
	Rotary Axis	O		
	X/Y Axes stroke	x	X axis = 520mm / Y axis = 160mm	
	Interlock override	O		
Environmental conditions		15 to 40°C (non condensing) - Vibration free		

√ - Included | O - Optional | x - Not available

Laser & Lens compatibility / maximum working height (mm)**															
Laser	AB-C *		AB-C HPD		AB-C HALO		AB-F/MOPA		AB-F HALO/MOPA		AB-D		AB-D GREEN/UV		
	Z	XYZ	Z	XYZ	Z	XYZ	Z	XYZ	Z	XYZ	Z	XYZ	Z	XYZ	
60x60	460*	x	POA*	x	POA	POA	416	536	406	526	410	530	405	525	
100x100	355*	x	POA*	x	POA	POA	346	466	328	448	332	452	323	443	
150x150	313*	x	POA*	x	POA	POA	-	-	-	-	-	-	-	-	
160x160	-	-	-	-	-	-	205	325	189	309	187	307	190	310	
200x200	235*	x	POA*	x	POA	POA	-	-	-	-	-	-	-	-	
212x212	-	-	-	-	-	-	92	212	-	-	92	212	-	-	
242x242	-	-	-	-	-	-	x	122	-	-	x	98	x	100	
250x250	145*	x	POA*	x	POA	POA	-	-	x	120	-	-	-	-	
320x320	-	-	POA*	x	POA	POA	-	-	-	-	-	-	-	-	

x - Not applicable

* - Z axis non programable

- - Lens not available

POA - Price on application (Custom solution)

** - Maximum working height is calculated based on the average focal distance of each lens and may have some differences around ± 5mm

